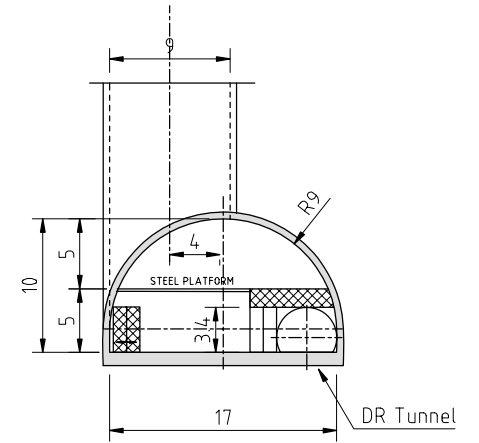
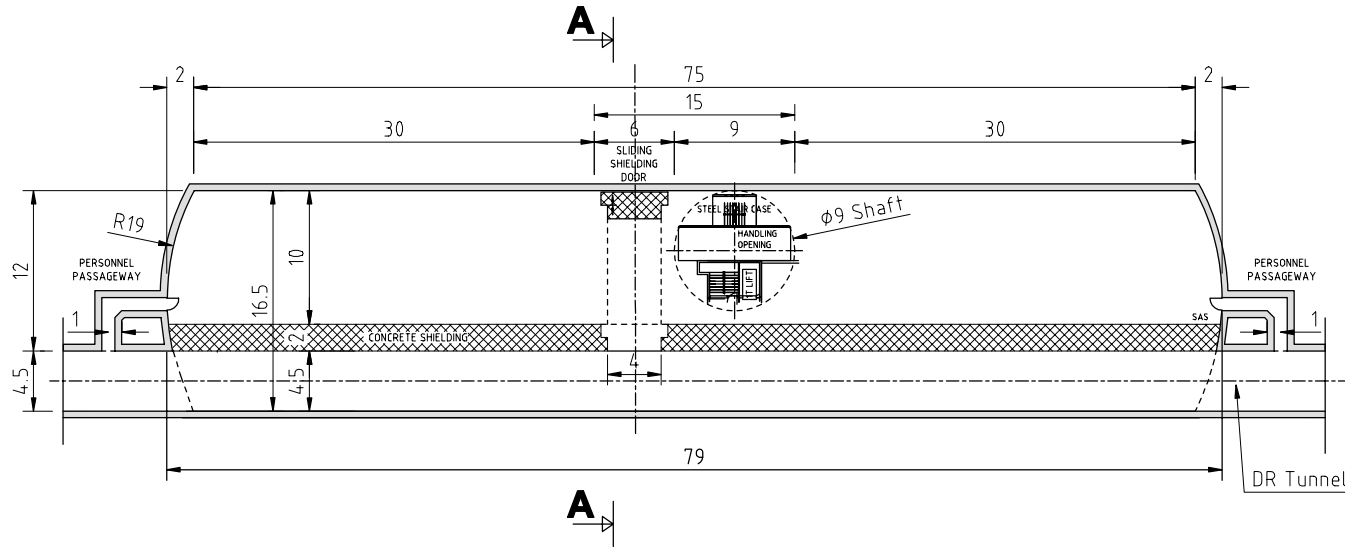
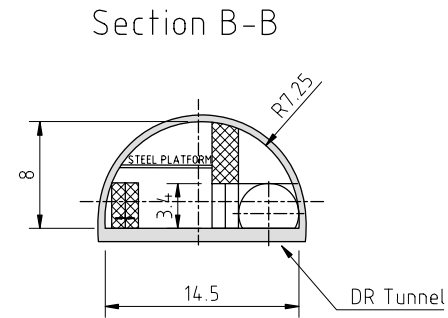
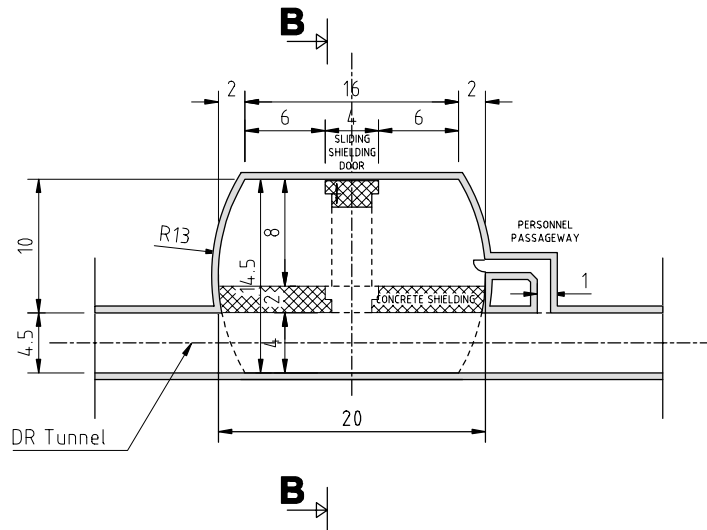


Alcoves at base of ϕ 9.00m Shafts 12, 13



Section A-A

Alcoves in B, D, E, F (No shafts)



Section B-B