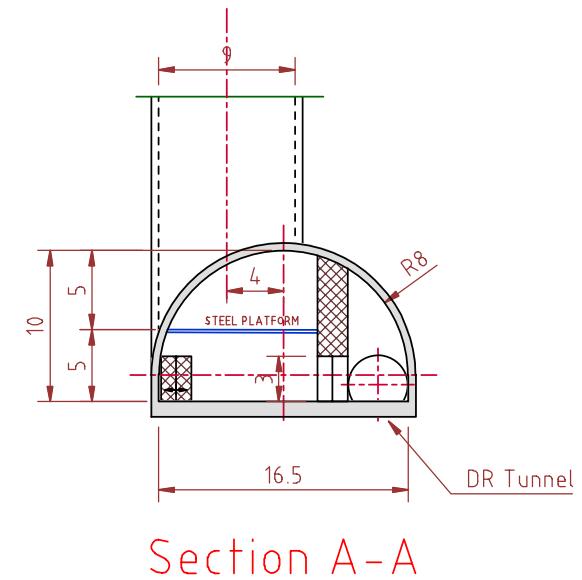
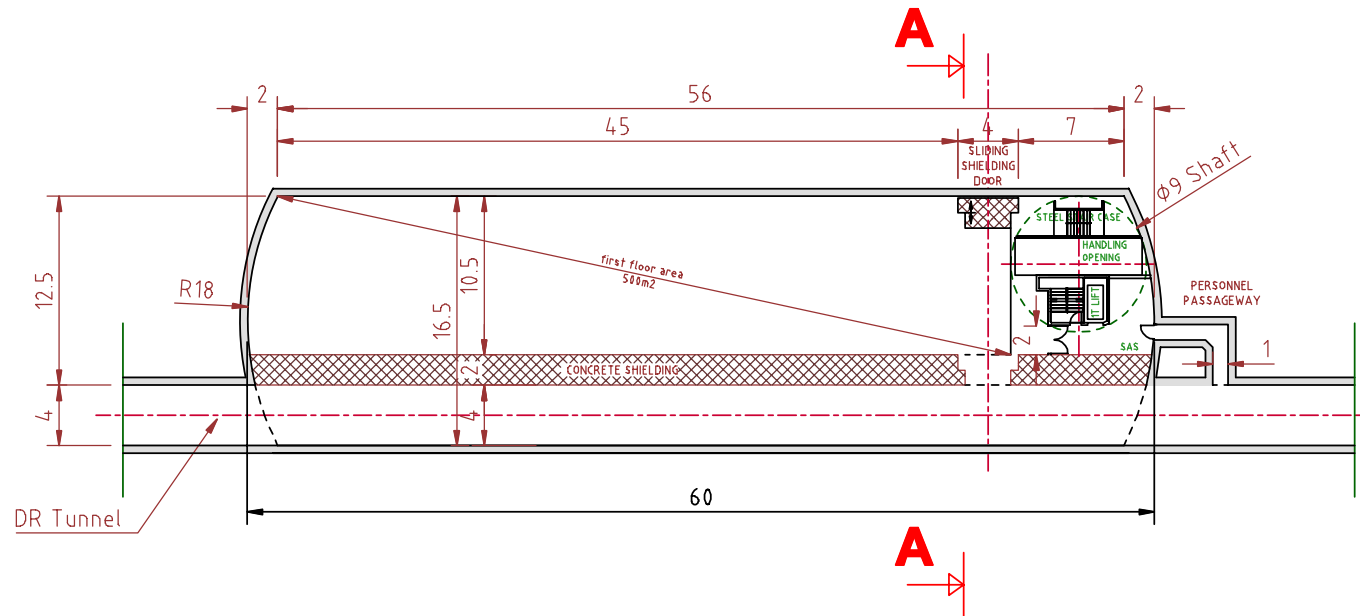


# ILC - ALCOVES IN DAMPING RINGS

Type 1:  $\phi$  9.00m SHAFTS 12, 13, 14, 15, 16, 17, 18, 19



Type 2 : NO SHAFT : A, D, F, H

